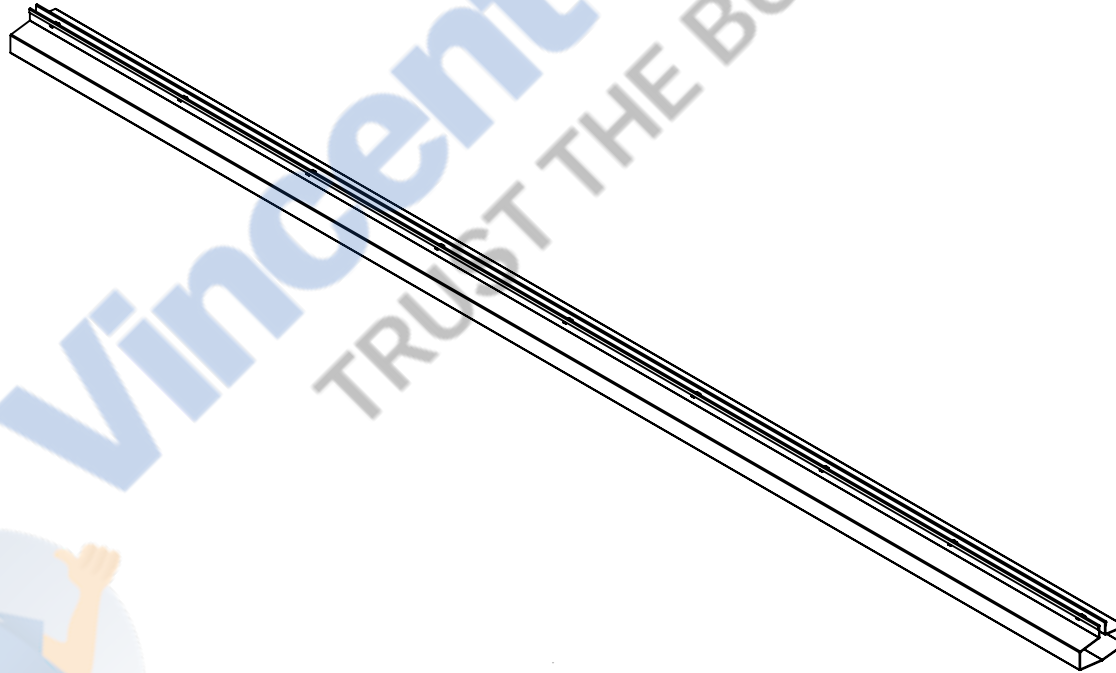
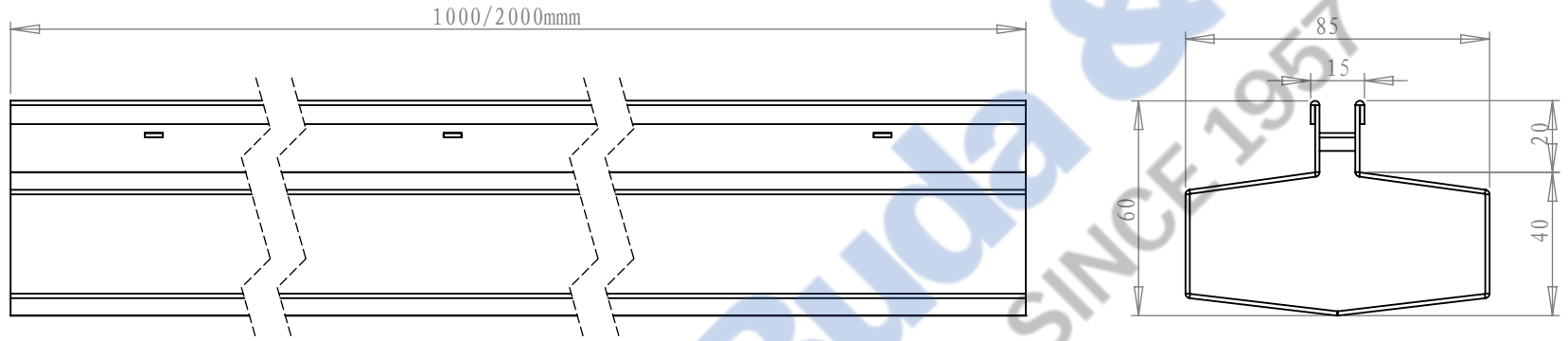


SL6-1M

SL6-2M



SL/END

SL/JON

SL/OUT

