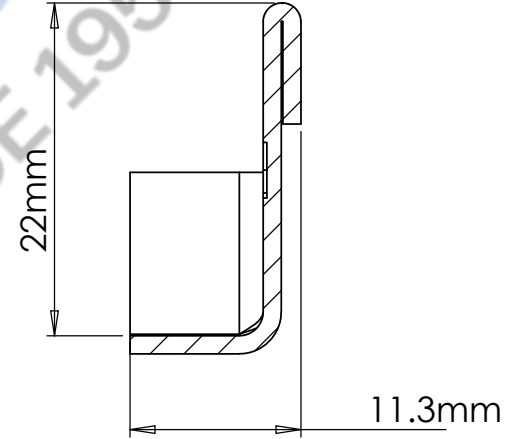


85 mm

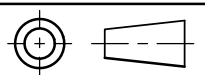
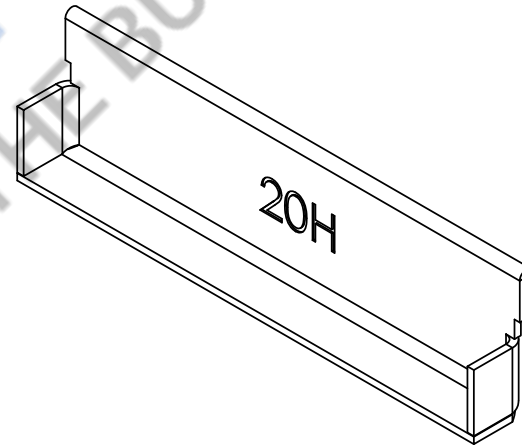
D

$\frac{D}{2:1}$

20H

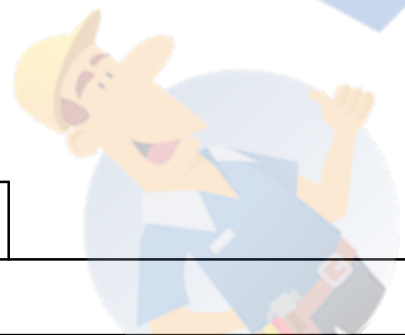
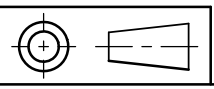
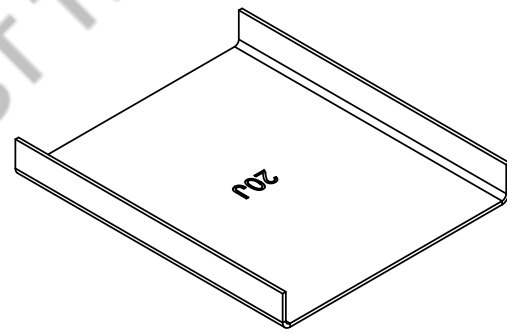
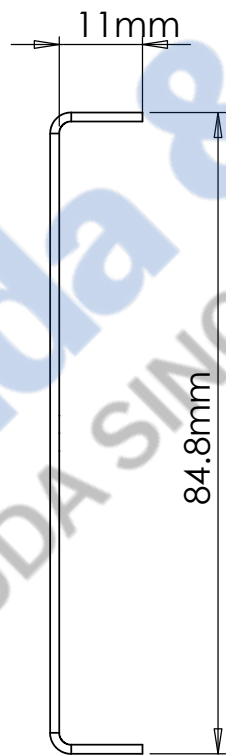
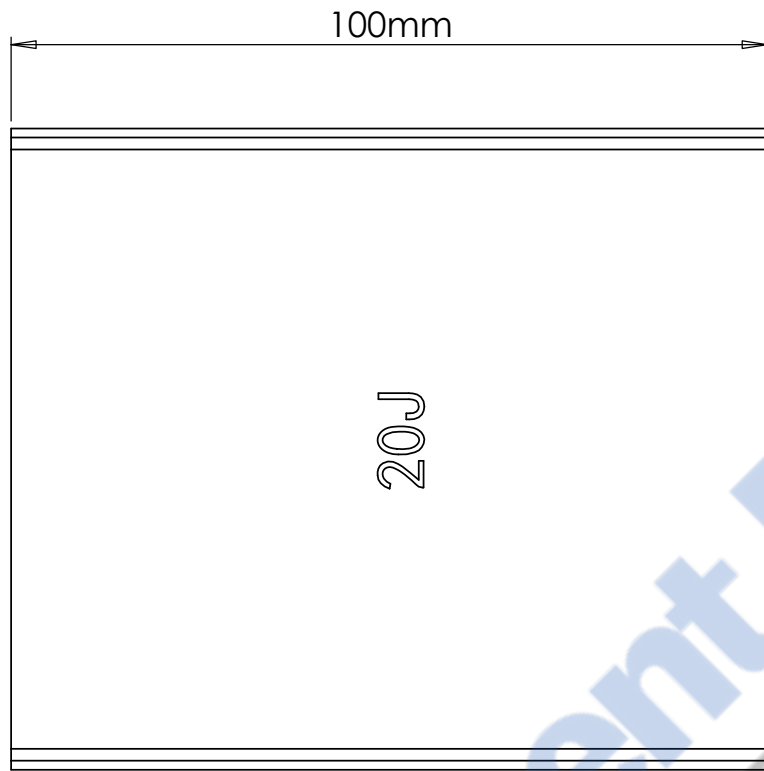


D



Aqualuna

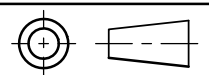
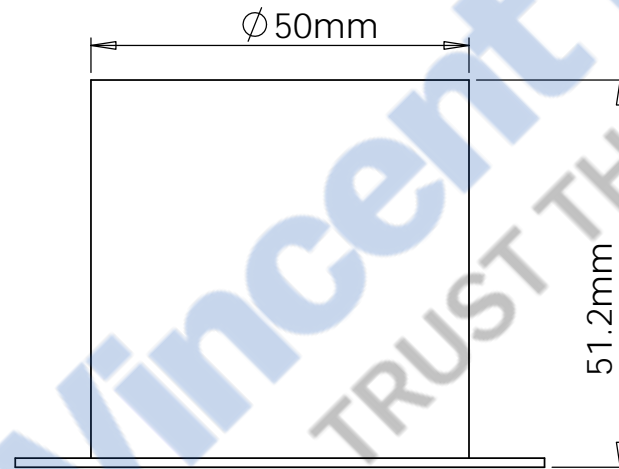
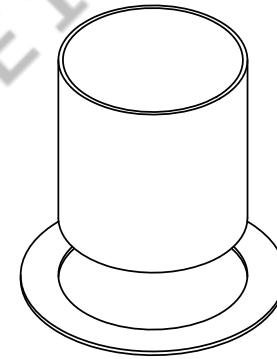
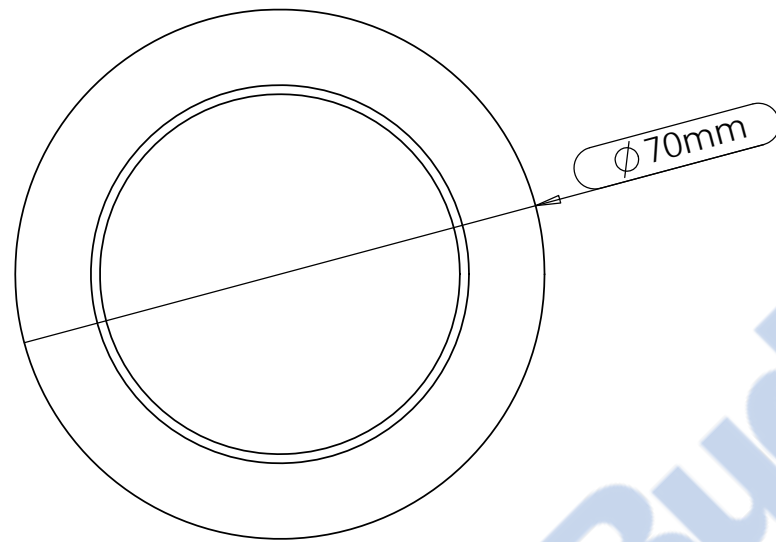
Drawings are for guide purposes only and may be subject to change at any time.



Vincent Buda & Co.
TRUST THE BUDA SINCE 1957

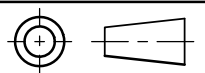
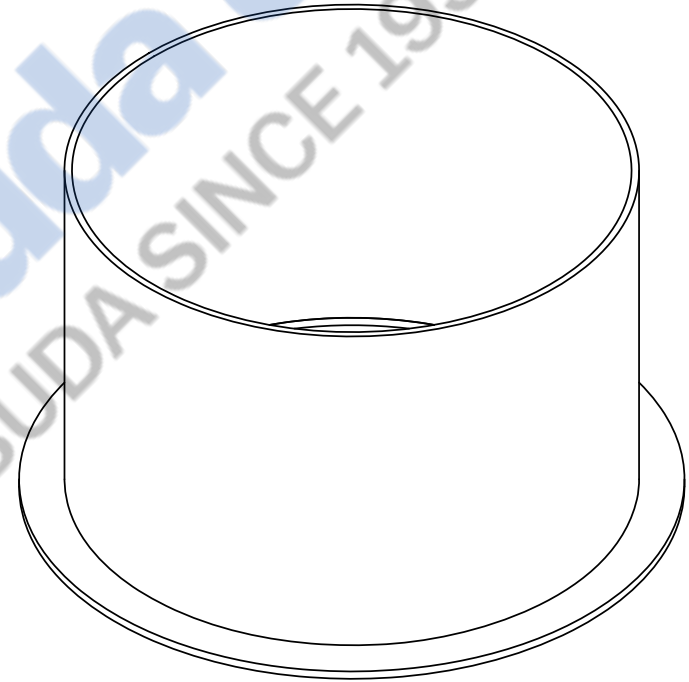
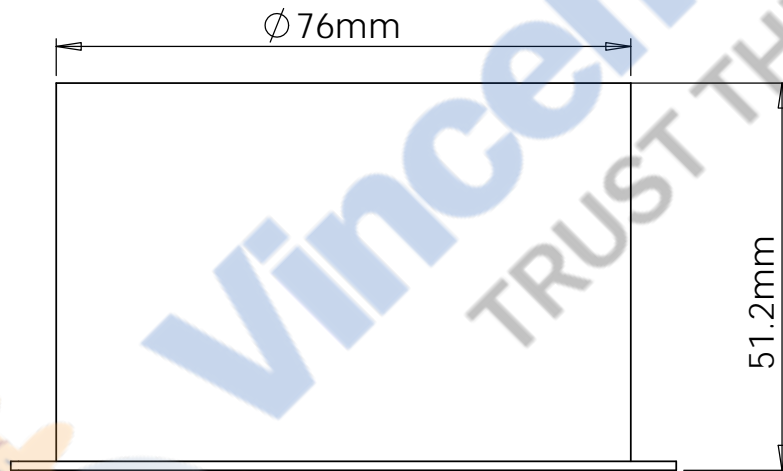
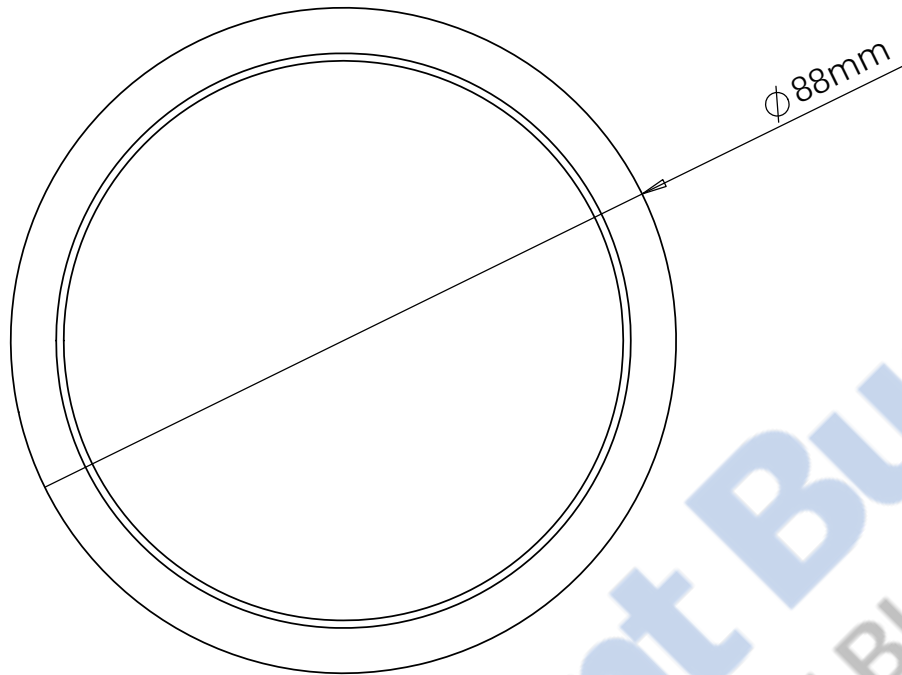
Aqualuna

Drawings are for guide purposes only and may be subject to change at any time.



Aqualuna

Drawings are for guide purposes only and may be subject to change at any time.



Aqualuna

Drawings are for guide purposes only and may be subject to change at any time.